

# Equi-Librium®



The design of the Equi-Librium® horseshoe is the result of an extensive scientific research project at Utrecht University in The Netherlands. Welfare and athletic performance of the horse took priority in this design, where breakover and support are the key design features of this shoe. The positive effects of this shoe have not only been scientifically proven, but have also been demonstrated in practice. Overall, Equi-Librium® is a sport shoe for performance horses as well as any horses that have to make (fast) turns in their work.

### Maximum flexibility

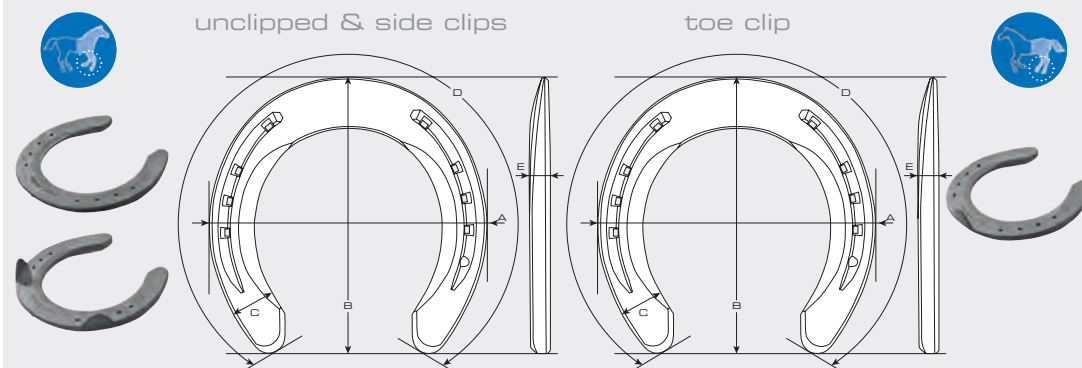
- wide variety of sizes and sections
- easier shoe adaptations

### Innovative features

- following the anatomical foot shape
- definite left and right shapes
- Section-To-Size: dimensions change according to shoe size
- boxed heels

### Recommended nails for this product

-  LiBero-ARC®
-  EXL®
-  E-slim



### Front shoes

- Model** typical left and right
- Unclipped**  
Sizes 3\*0 - 4
- Side clips**  
Sizes 2\*0 - 4
- Toe clip**  
Sizes 2\*0 - 4

## Dimension tables

### Front unclipped & side clips

Size	A	B	C	D	E
3*0	124	124	21	335	8.9
2*0	128	128	21.5	350	9.1
0	135	135	22	365	9.3
1	142	142	22.5	380	9.5
2	148	148	23	395	9.7
3	156	156	23.5	415	9.9
4	164	164	24	440	10.1

### Front toe clip

Size	A	B	C	D	E
2*0	123	126	21.5	330	7.5
0	129	132	22	343	7.5
1	136	139	22.5	362	8
2	141	145	23	381	8
3	147	151	23.5	400	8.5
4	153	157	24	419	9



These horseshoes are also available on request with stud holes: 3/8", M10 or M12.